

# ICE® Model 416L Hydraulic Vibratory Driver/ Extractor with Model 350G Power Unit

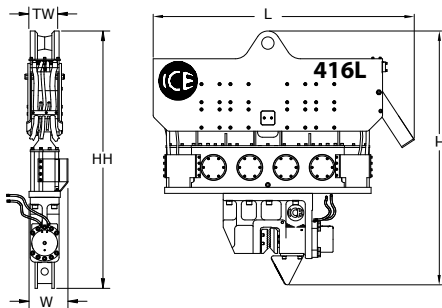


WWW.ICEUSA.COM  
888-ICE-USA1

The most popular vibratory hammer for international clients since 1974.  
Narrow throat width for U-shaped sheet piles.  
Up to 40 tons (356 kN) line pull for extraction.



ICE Model 416L Vibratory Pile Hammer			
Eccentric moment	2200 in-lbs	25 kg-m	
Maximum frequency	1700 vpm		
Driving Force	100 tons	886 kN	
Centrifugal force	90 tons	790 kN	
Amplitude (free w/o clamp)	0.9 in	23 mm	
Standard line pull for extracting	40 tons	355 kN	
Maximum line pull for extracting	40 tons	355 kN	
Weight (no clamp or hoses)	7850 lbs	3560 kg	
Non-vibrating Weight	3060 lbs	1390 kg	
Height without clamp (H)	70 in	1780 mm	
Length (L)	95 in	2415 mm	
Width (W)	17 in	435 mm	
Throat width (TW)	14 in	356 mm	
Hydraulic hose length	150 ft	30 m	
Hydraulic hose weight	1425 lbs	650 kg	
Height with sheeting clamp (HH)	108 in	2740 mm	
Weight with sheeting clamp & 1/2 hoses	10765 lbs	4880 kg	
Height with beam & caisson clamps	96 in	2440 mm	
Weight with beam, caisson clamps & 1/2 hoses	11500 lbs	5215 kg	



ICE Model 350G Power Unit			
Engine	Caterpillar C9		
EPA/EU Emissions rating	Tier 3	Stage IIIA	
Power	350 HP	261 kW	
Operating speed	1950 rpm	1850 rpm	
Maximum motors pressure	5500 psi	380 bar	
Motors flow (no load)	100 gpm	385 lpm	
Clamp pressure	4500 psi	310 bar	
Clamp flow	6 gpm	20 lpm	
Weight (w/ full fluid & 1/2 fuel)	11350 lbs	5150 kg	
Length	130 in	3300 mm	
Width	63 in	1600 mm	
Height	87 in	2200 mm	
Hydraulic oil capacity	275 gal	1040 liters	
Fuel Capacity	118 gal	445 liters	



DESIGNED AND MANUFACTURED IN USA BY ICE®  
WORLD LEADER IN COST-EFFECTIVE FOUNDATION EQUIPMENT SINCE 1974.

Constant improvement and engineering progress make it necessary that ICE®, Inc reserve the right to make specification changes without notice.  
Please consult ICE® for the latest available information.