

# ICE® Model 14D Hydraulic Vibratory Driver/ Extractor with Model 230G Power Unit



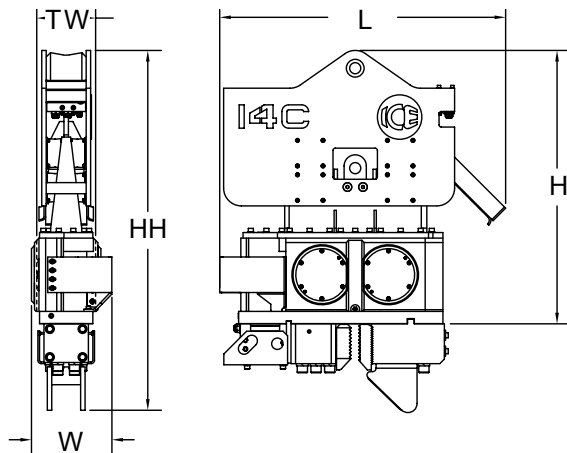
WWW.ICEUSA.COM  
888-ICE-USA1

Design combines high eccentric moment (1,400 in-lbs, 16 kg-m) and suspended weight with clamp of 5,425 lbs (2460 kg)  
Lighter weight for increased reach or use with smaller cranes  
Reduced height for better access in low-overhead situations  
Up to 48 tons (430 kN) line pull for extraction



## ICE Model 14D Vibratory Pile Hammer

Eccentric moment	1400 in-lbs	16 kg-m
Maximum frequency	1900 vpm	
Driving Force	74 tons	660 kN
Centrifugal force	72 tons	640 kN
Amplitude (free w/o clamp)	1.1 in	28 mm
Standard line pull for extracting	48 tons	430 kN
Maximum line pull for extracting	48 tons	430 kN
Weight (no clamp or hoses)	3935 lbs	1785 kg
Non-vibrating Weight	1400 lbs	635 kg
Height without clamp (H)	62 in	1570 mm
Length (L)	65 in	1635 mm
Width (W)	18 in	460 mm
Throat width (TW)	13.25 in	337 mm
Hydraulic hose length	100 ft	30 m
Hydraulic hose weight	850 lbs	385 kg
Height with sheeting clamp (HH)	90 in	2285 mm
Weight with sheeting clamp & 1/2 hoses	5510 lbs	2500 kg
Height with beam & caisson clamps	91 in	2290 mm
Weight with beam, caisson clamps & 1/2 hoses	7370 lbs	3345 kg



## ICE Model 230G Power Unit

Engine	Caterpillar C6.6	
EPA/EU Emissions rating	EPA Flex	EU Flex
Power	225 HP	168 kW
Operating speed	2100 rpm	2100 rpm
Maximum motors pressure	4500 psi	310 bar
Motors flow (no load)	75 gpm	295 lpm
Clamp pressure	4500 psi	310 bar
Clamp flow	6 gpm	25 lpm
Weight (w/ full fluid & 1/2 fuel)	9310 lbs	4225 kg
Length	110 in	2800 mm
Width	58 in	1475 mm
Height	77 in	1960 mm
Hydraulic oil capacity	275 gal	1040 liters
Fuel Capacity	120 gal	460 liters



DESIGNED AND MANUFACTURED IN USA BY ICE®  
WORLD LEADER IN COST-EFFECTIVE FOUNDATION EQUIPMENT SINCE 1974.