

ICE® Model 22D Hydraulic Vibratory Driver/ Extractor with Model 350G Power Unit

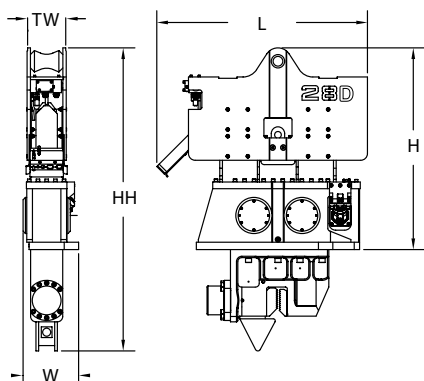


WWW.ICEUSA.COM
888-ICE-USA1

Design combines high eccentric moment and suspended weight with clamp under 10,500 lbs
Lighter weight for increased reach or use with smaller cranes
Reduced height for better access in low-overhead situations
Up to 100 tons (1000 kN) line pull for extraction



ICE Model 22D Vibratory Pile Hammer		
Eccentric moment	2,200 in-lbs	25 kg-m
Maximum frequency	1800 vpm	
Driving Force	104 tons	925 kN
Centrifugal force	100 tons	890 kN
Amplitude (free w/o clamp)	1 in	25 mm
Standard line pull for extracting	100 tons	490 kN
Maximum line pull for extracting	100 tons	490 kN
Weight (no clamp or hoses)	7,365 lbs	3121 kg
Non-vibrating Weight	2,120 lbs	971 kg
Height without clamp (H)	82 in	1915 mm
Length (L)	77 in	2000 mm
Width (W)	21 in	527 mm
Throat width (TW)	14.25 in	362 mm
Hydraulic hose length	150 ft	45 m
Hydraulic hose weight	1,425 lbs	646 kg
Height with sheeting clamp (HH)	110 in	2795 mm
Weight with sheeting clamp & 1/2 hoses	10,275 lbs	4,442 kg
Height with beam & caisson clamps	115 in	2750 mm
Weight with beam, caisson clamps & 1/2 hoses	12,685 lbs	5535 kg



ICE Model 350G Power Unit			
Engine	Caterpillar C9		
EPA/EU Emissions rating	EPA	Flex	EU Flex
Power	350 HP	261 kW	
Operating speed	1950 rpm	1950 rpm	
Maximum motors pressure	5500 psi	380 bar	
Motors flow (no load)	100 gpm	385 lpm	
Clamp pressure	4500 psi	310 bar	
Clamp flow	6 gpm	20 lpm	
Weight (w/ full fluid & 1/2 fuel)	11350 lbs	5150 kg	
Length	130 in	3300 mm	
Width	63 in	1600 mm	
Height	87 in	2200 mm	
Hydraulic oil capacity	275 gal	1040 liters	
Fuel Capacity	118 gal	445 liters	



DESIGNED AND MANUFACTURED IN USA BY ICE®
WORLD LEADER IN COST-EFFECTIVE FOUNDATION EQUIPMENT SINCE 1974.

Constant improvement and engineering progress make it necessary that ICE®, Inc reserve the right to make specification changes without notice.
Please consult ICE® for the latest available information.