

ICE® Model 55C Hydraulic Vibratory Driver/ Extractor with Model 800G Power Unit

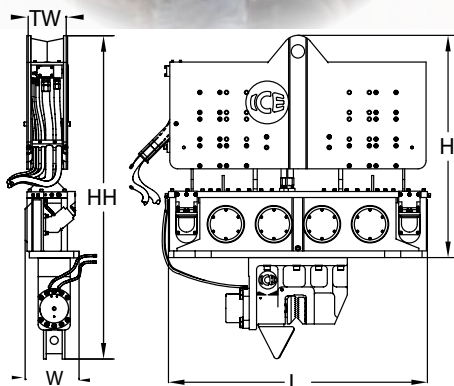


WWW.ICEUSA.COM
888-ICE-USA1

Combines high frequency (1600 vpm) and largest eccentric moment (5,500 in-lbs, 63 kg-m) in its class
800 HP (522 kW) CAT C18 meets EPA Tier 2/EU Stage II engine emission regulations
Up to 100 tons (1000 kN) line pull for extraction



ICE Model 55C Vibratory Pile Hammer		
Eccentric moment	5500 in-lbs	63 kg-m
Maximum frequency	1600 vpm	
Driving Force	205 tons	1830 kN
Centrifugal force	200 tons	1770 kN
Amplitude (free w/o clamp)	1.4 in	34 mm
Standard line pull for extracting	65 tons	600 kN
Maximum line pull for extracting	100 tons	900 kN
Weight (no clamp or hoses)	12660 lbs	5740 kg
Non-vibrating Weight	4560 lbs	2070 kg
Height without clamp (H)	84 in	2135 mm
Length (L)	98 in	2485 mm
Width (W)	21 in	530 mm
Throat width (TW)	14.25 in	362 mm
Hydraulic hose length	150 ft	45 m
Hydraulic hose weight	1555 lbs	705 kg
Height with sheeting clamp (HH)	122 in	3095 mm
Weight with sheeting clamp & 1/2 hoses	15635 lbs	7090 kg
Height with beam & caisson clamps	115 in	2915 mm
Weight with beam, caisson clamps & 1/2 hoses	18050 lbs	8185 kg



ICE Model 800G Power Unit		
Engine	Caterpillar C18	
EPA/EU Emissions rating	EPA Flex	EU Flex
Power	800 HP	597 kW
Operating speed	1800 rpm	1800 rpm
Maximum motors pressure	5200 psi	345 bar
Motors flow (no load)	250 gpm	900 lpm
Clamp pressure	4500 psi	310 bar
Clamp flow	6 gpm	20 lpm
Weight (w/ full fluid & 1/2 fuel)	26500 lbs	12020 kg
Length	218 in	5540 mm
Width	80 in	2035 mm
Height	104 in	2630 mm
Hydraulic oil capacity	550 gal	2080 liters
Fuel Capacity	200 gal	750 liters



DESIGNED AND MANUFACTURED IN USA BY ICE®
WORLD LEADER IN COST-EFFECTIVE FOUNDATION EQUIPMENT SINCE 1974.

Constant improvement and engineering progress make it necessary that ICE®, Inc reserve the right to make specification changes without notice.
Please consult ICE® for the latest available information.